

**PRODUCT TECHNICAL SHEET**

Collection : **PILE & FACE**

Ref. : **1002.--.22**

Mélangeur cuisine monotrou, bec mobile 170mm

Eéngats keukenmengkraan, draaibare uitloop 170mm

Single hole kitchen mixer, swivel spout 170mm

**Picture**

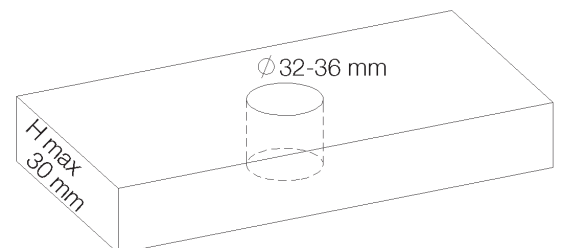
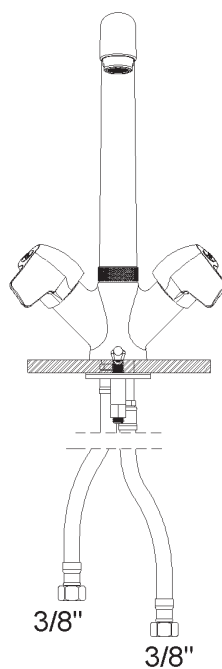
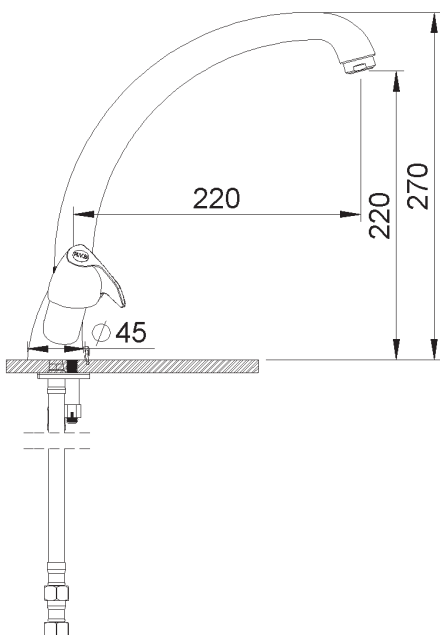
**Product details**

Weight : 2,1 kg



Internal mechanism : 1/3 turn compression valve

**Technical drawing**



RN01/01/2012.V01